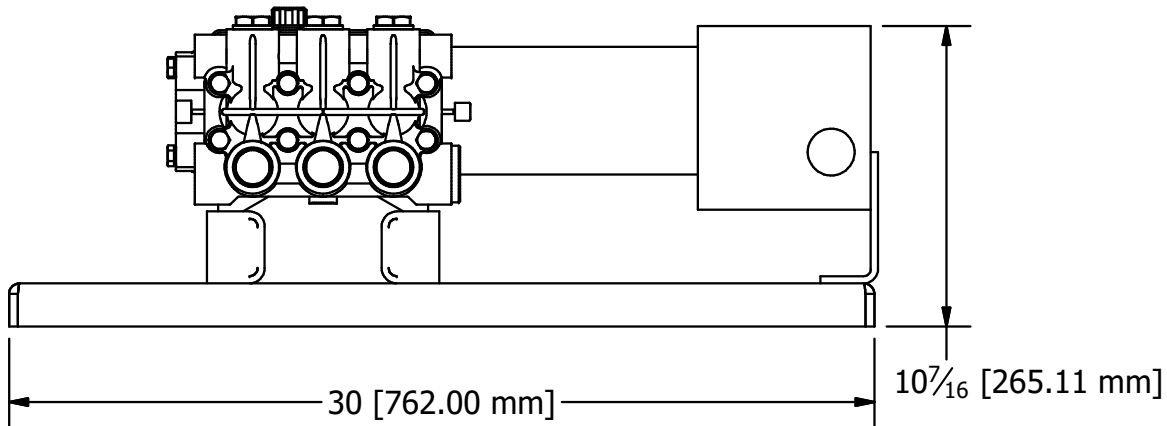
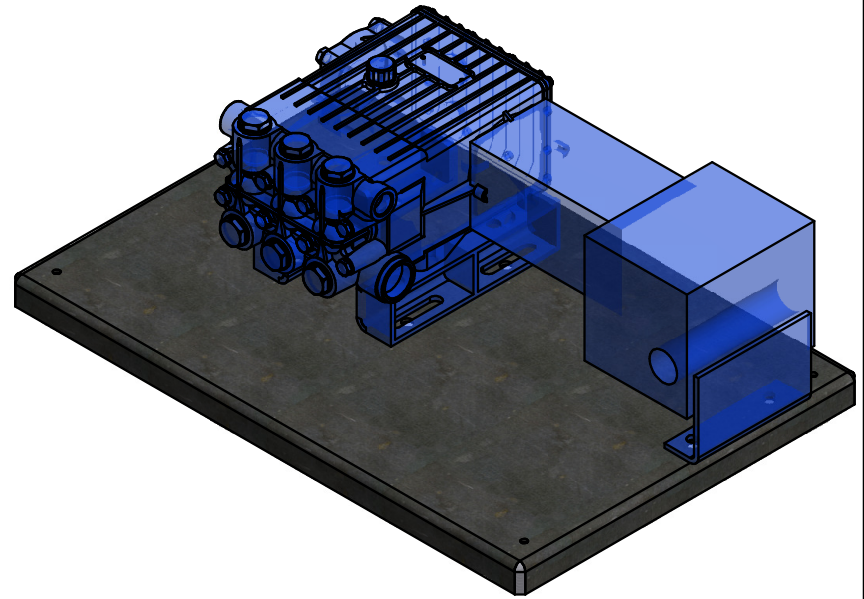
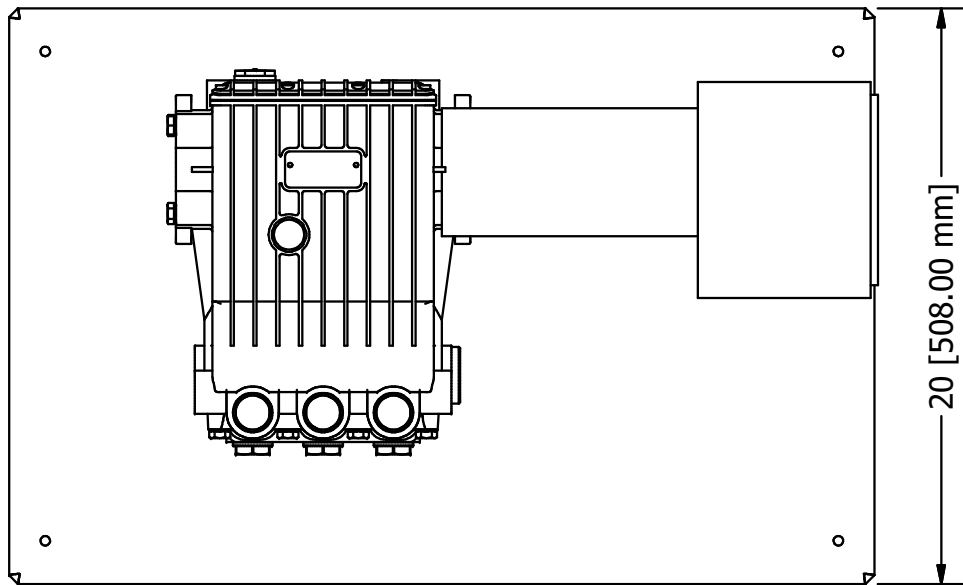


DO NOT SCALE DRAWING	DRAWN BY: MICHAEL ZGLINICKI	SHEET OF: 1 of 3	PART NO: N/A
THIS DRAWING CONFORMS TO ASME Y14.5M-1994	DATE: 5/17/16	SCALE: N.T.S.	APPROVED BY:
 THIRD ANGLE PROJECTION	DRAWING: <b>Control Panel Module</b>		REV: 0
	DRAWING #: N/A		



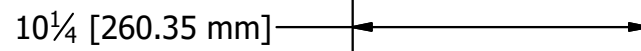
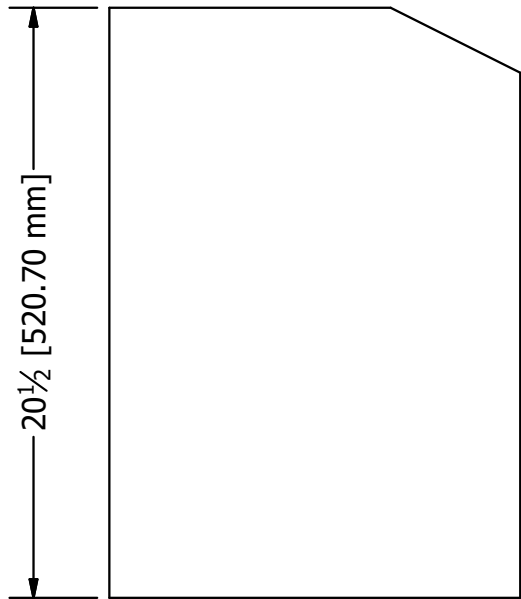
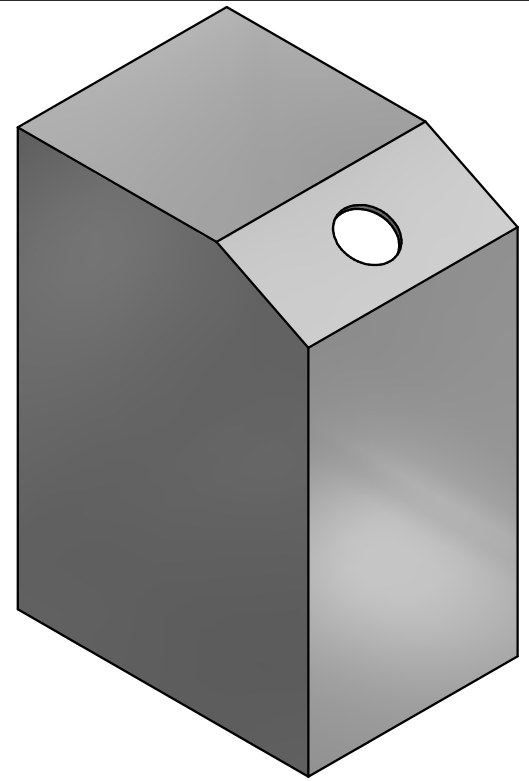
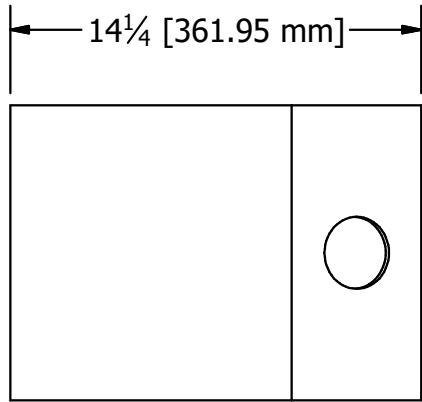
Requires approximately 17" height clearance to install

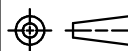


DO NOT SCALE DRAWING	DRAWN BY: MICHAEL ZGLINICKI	SHEET: OF: 2 of 3	PART NO: N/A
THIS DRAWING CONFORMS TO ASME Y14.5M-1994	DATE: 5/17/16	SCALE: N.T.S.	APPROVED BY:
DRAWING: <b>Pump/Motor Module</b>			REV: 0
DRAWING #: N/A			



THIRD ANGLE  
PROJECTION



DO NOT SCALE DRAWING	DRAWN BY: MICHAEL ZGLINICKI	SHEET: OF: 3 of 3	PART NO: N/A
THIS DRAWING CONFORMS TO ASME Y14.5M-1994	DATE: 5/17/16	SCALE: N.T.S.	APPROVED BY:
 THIRD ANGLE PROJECTION	DRAWING: <b>Abrasive Vessel Module</b>		REV: 0
	DRAWING #: N/A		