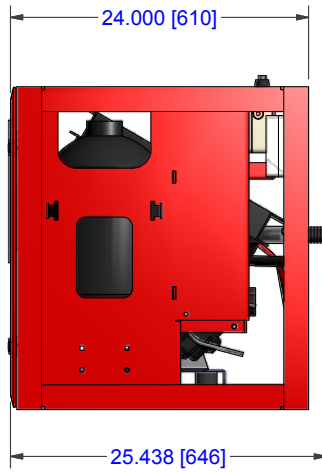
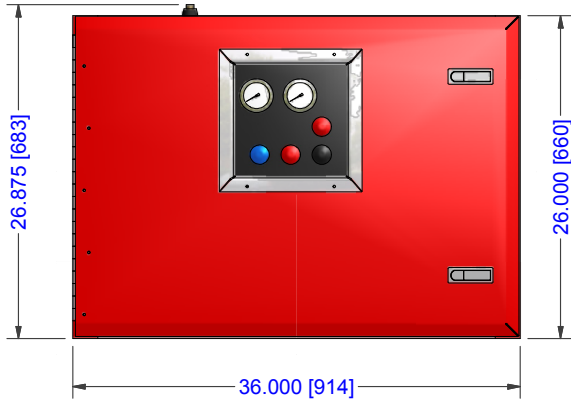
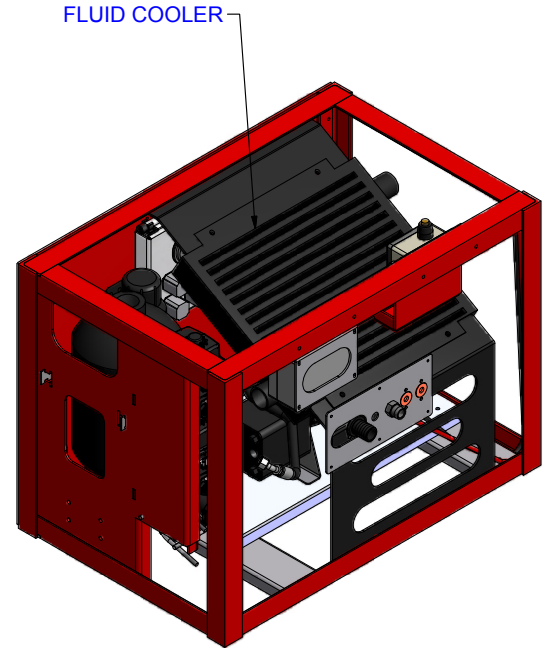
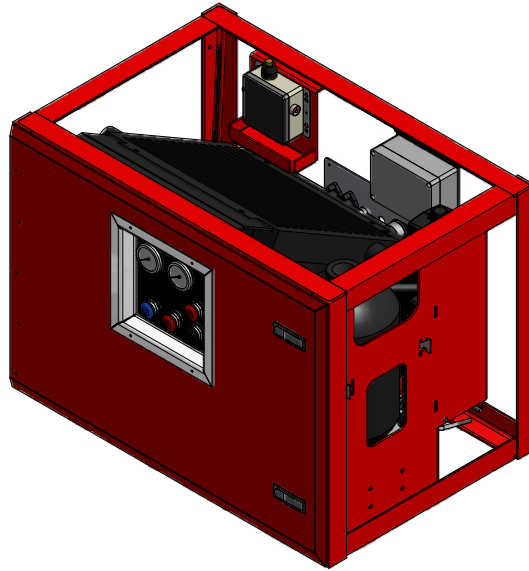
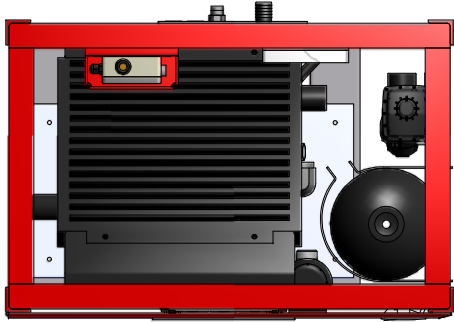


DIMENSIONAL DRAWINGS L-1000WP



DIMENSIONS ARE IN INCHES		PyroLance	SIZE	REV
TOLERANCES: XX = ± 0.2 X.XX = ± 0.01 X.XXX = ± 0.005 X.XXXX = ± 0.0005 ANGLES = ± 2.0°			B	
		PART NUMBER 095-46-10-1000		
		TITLE L-1000-WP		
FINISH		MATERIAL		
DO NOT SCALE DRAWING SCALE	DRAWN jang	DATE 10/4/2012	SHEET 1 of 1	