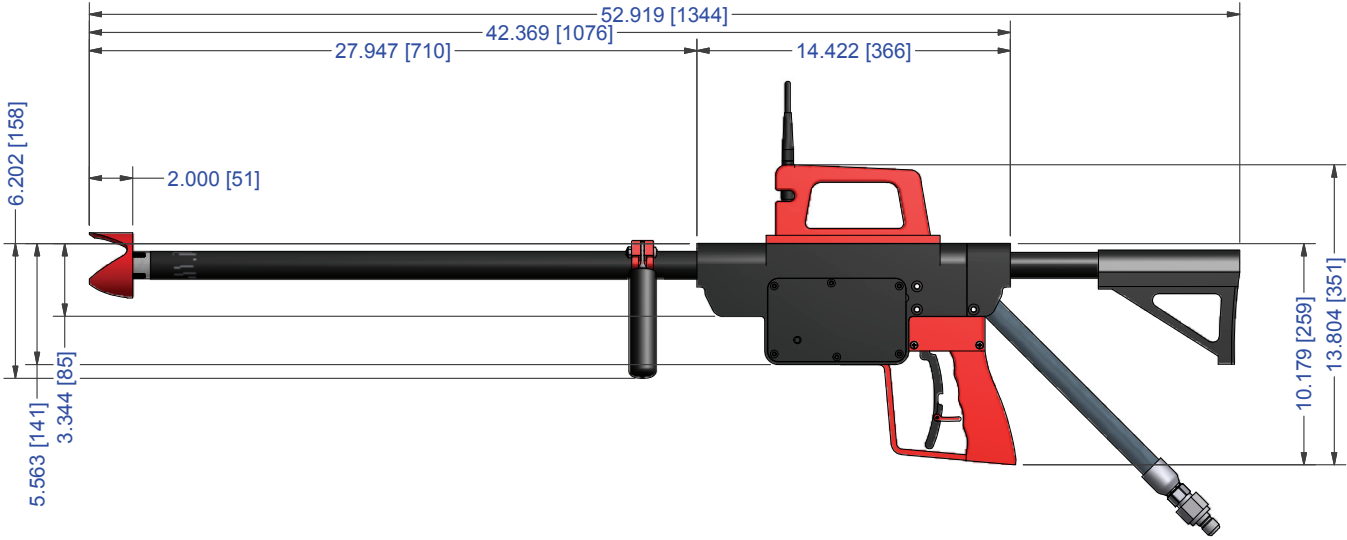
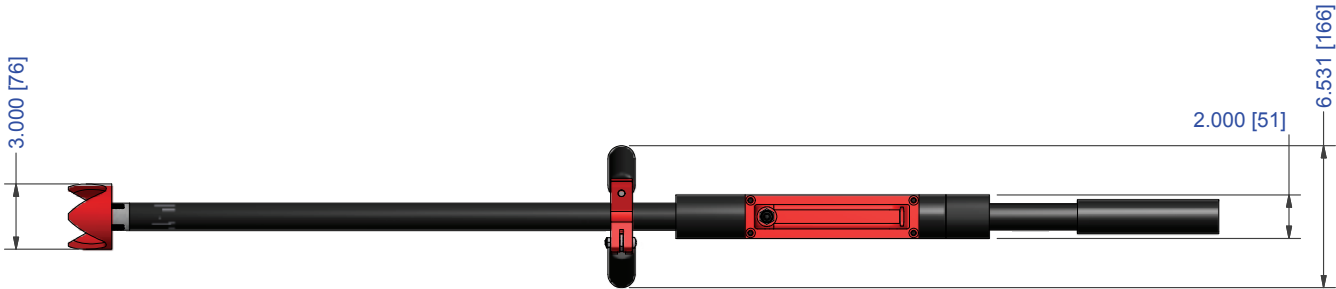



DIMENSIONAL DRAWING LANCE



DIMENSIONS ARE IN INCHES			SIZE	REV
TOLERANCES: X.X = ± 0.2 X.XX = ± 0.01 X.XXX = ± 0.005 X.XXXX = ± 0.0005 ANGLES = ± 2.0°			B	
PART NUMBER		095-45-01-1000		
TITLE		Lance		
FINISH		MATERIAL		
DO NOT SCALE DRAWING	DRAWN	DATE	SHEET	
SCALE	kellyh	11/9/2011	3 OF 3	